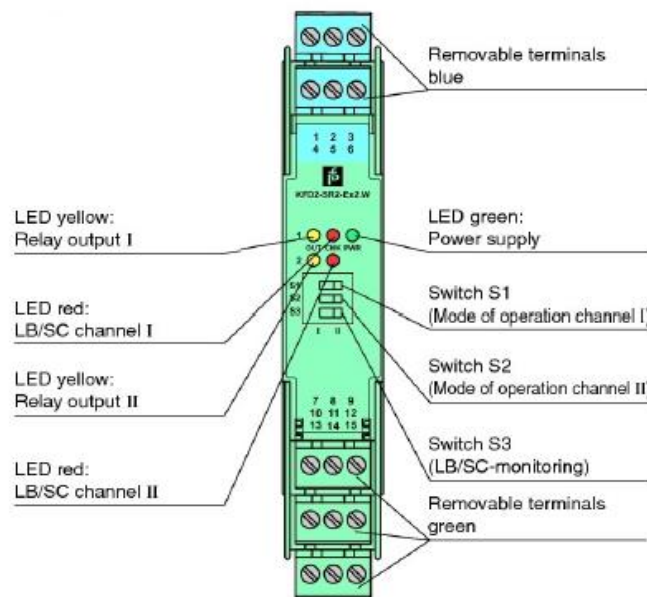


KFD2-SR2-EX2.W

BARRIER



BH KOREA

인천광역시 서구 청라동 202-5 에이스하이테크 1동 414호

TEL 032)584-0107 FAX 032)584-0108

www.gas365.co.kr



Features

- 2-channel isolated barrier
- 24 V DC supply (Power Rail)
- Dry contact or NAMUR inputs
- Relay contact output
- Line fault detection (LFD)
- Reversible mode of operation
- Up to SIL2 acc. to IEC 61508

Function

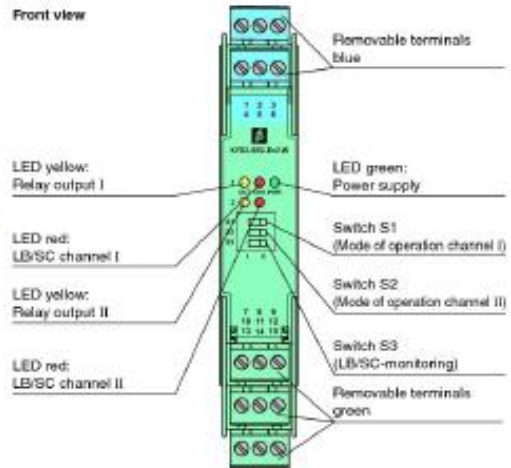
This isolated barrier is used for intrinsic safety applications. It transfers digital signals (NAMUR sensors/mechanical contacts) from a hazardous area to a safe area.

The proximity sensor or switch controls a form C changeover relay contact for the safe area load. The normal output state can be reversed using switches S1 and S2. Switch S3 is used to enable or disable line fault detection of the field circuit.

During an error condition, the relays revert to their de-energized state and the LEDs indicate the fault according to NAMUR NE44.

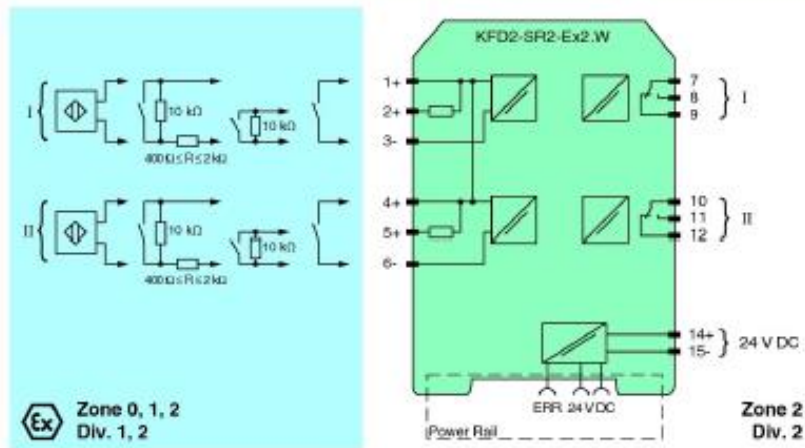
A unique collective error messaging feature is available when used with the Power Rail system.

Assembly



Connection

Release date: 2010/02/02 14:14 Date of issue: 2010-05-11 13:2960_ENG.ver1

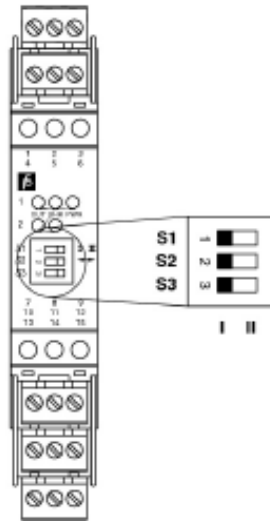


General specifications	
Signal type	Digital input
Supply	
Connection	Power Rail or terminals 14+, 15-
Rated voltage	20 ... 30 V DC
Ripple	≤ 10 %
Rated current	≤ 50 mA
Power loss	1 W
Power consumption	< 1.3 W
Input	
Connection	terminals 1+, 2+, 3-, 4+, 5-,
Rated values	acc. to EN 60947-5-6 (NAMUR)
Open circuit voltage/short-circuit current	approx. 9 V DC / approx. 8 mA
Switching point/switching hysteresis	1.2 ... 2.1 mA / approx. 0.2 mA
Line fault detection	breakage I ≤ 0.1 mA , short-circuit I > 6 mA
Pulse/Pause ratio	≥ 20 ms / ≥ 20 ms
Output	
Connection	output I: terminals 7, 8, 9 ; output II: terminals 10, 11, 12
Output I, II	signal, relay
Minimum switch current	2 mA / 24 V DC
Energized/De-energized delay	approx. 20 ms / approx. 20 ms
Mechanical life	10 ⁷ switching cycles
Transfer characteristics	
Switching frequency	≤ 10 Hz
Electrical isolation	
Output/power supply	reinforced insulation according to IEC 61140, rated insulation voltage 300 V _{eff}
Output/Output	reinforced insulation according to IEC 61140, rated insulation voltage 300 V _{eff}
Directive conformity	
Electromagnetic compatibility	
Directive 2004/108/EC	EN 61326-1:2006
Low voltage	
Directive 2006/95/EC	EN 50178:1997
Conformity	
Electromagnetic compatibility	NE 21
Protection degree	IEC 60529
Protection against electric shock	IEC 61140
Ambient conditions	
Ambient temperature	-20 ... 60 °C (-4 ... 140 °F)
Mechanical specifications	
Protection degree	IP20
Mass	approx. 150 g
Dimensions	20 x 119 x 115 mm (0.8 x 4.7 x 4.5 in) , housing type B2
Data for application in connection with Ex-areas	
EC-Type Examination Certificate	
Group, category, type of protection	PTB 00 ATEX 2080 , for additional certificates see www.pepperl-fuchs.com
Input	Ⓔ II (1)GD [EEEx ia] IIC [circuit(s) in zone 0/1/2]
Voltage U ₀	EEx ia IIC
Current I ₀	10.5 V
Power P ₀	13 mA
Supply	34 mW (linear characteristic)
Maximum safe voltage U _M	253 V AC / 125 V DC (Attention! U _M is no rated voltage.)
Output	
Contact loading	253 V AC/2 A/cos φ > 0.7; 126.5 V AC/4 A/cos φ > 0.7; 40 V DC/2 A resistive load
Maximum safe voltage U _M	253 V AC (Attention! The rated voltage can be lower.)
Statement of conformity	
Group, category, type of protection	Pepperl+Fuchs
Input	Ⓔ II (3)G [Ex ic] IIC; [Ex nL] IIC
Voltage U ₀	[Ex ic] IIC; [Ex nL] IIC
Current I ₀	10.5 V
Power P ₀	13 mA
Supply	34 mW (linear characteristic)
Output	
Contact loading	253 V AC/2 A/cos φ > 0.7; 126.5 V AC/4 A/cos φ > 0.7; 40 V DC/2 A resistive load
Statement of conformity	TÜV 99 ATEX 1493 X , observe statement of conformity

Release date: 2011/02/03 14:14 Date of issue: 2010/05/11 132960_ENIG.xml

Group, category, type of protection, temperature classification	Ⓔ II 3G Ex nA nC IIC T4
Output	
Contact loading	50 V AC/4 A/cos ϕ > 0.7; 40 V DC/2 A resistive load
Electrical isolation	
Input/Output	safe galvanic isolation acc. to EN 50020, voltage peak value 375 V
Input/power supply	safe galvanic isolation acc. to EN 50020, voltage peak value 375 V
Directive conformity	
Directive 94/9/EC	EN 50014, EN 50020, EN 60079-0:2006, EN 60079-15:2005
International approvals	
FM approval	
Control drawing	116-0035
CSA approval	
Control drawing	116-0047
General information	
Supplementary information	EC-Type Examination Certificate, Statement of Conformity, Declaration of Conformity, Attestation of Conformity and instructions have to be observed where applicable. For information see www.pepperl-fuchs.com .

Configuration



Switch position

S	Function		Position
1	Mode of operation Output I (relay) energized	with high input current	I
		with low input current	II
2	Mode of operation Output II (relay) energized	with high input current	I
		with low input current	II
3	Line fault detection	ON	I
		OFF	II

Operating status

Control circuit	Input signal
Initiator high impedance/ contact opened	low input current
Initiator low impedance/ contact closed	high input current
Lead breakage, lead short-circuit	Line fault

Factory settings: switch 1, 2 and 3 in position I

Accessories

Power feed modules KFD2-EB2...

The power feed module is used to supply the devices with 24 V DC via the Power Rail. The fuse-protected power feed module can supply up to 100 individual devices depending on the power consumption of the devices. A galvanically isolated mechanical contact uses the Power Rail to transmit collective error messages.

Power Rail UPR-03

The Power Rail UPR-03 is a complete unit consisting of the electrical inset and an aluminium profile rail 35 mm x 15 mm. To make electrical contact, the devices are simply engaged.

The Power Rail must not be fed via the device terminals of the individual devices!